

1

2

3

4

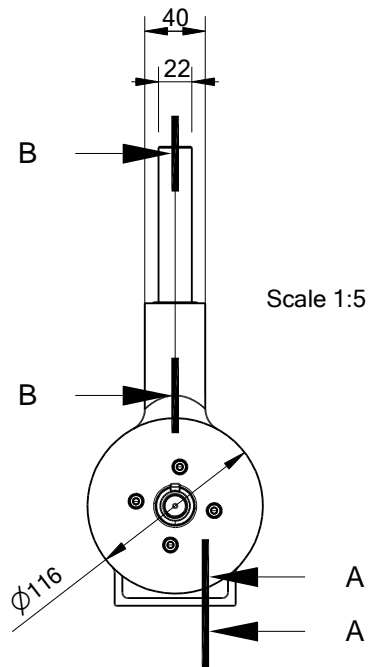
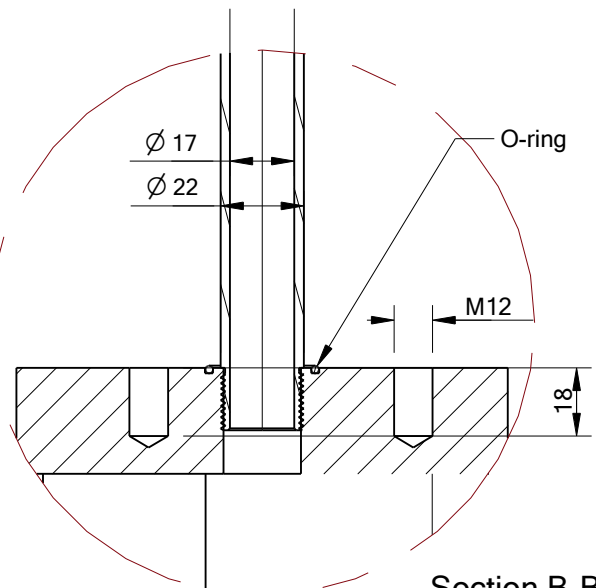
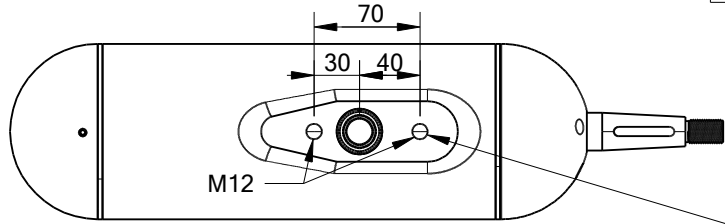
5

6

RevNo	Revision note	Date	Signature	Checked
-------	---------------	------	-----------	---------

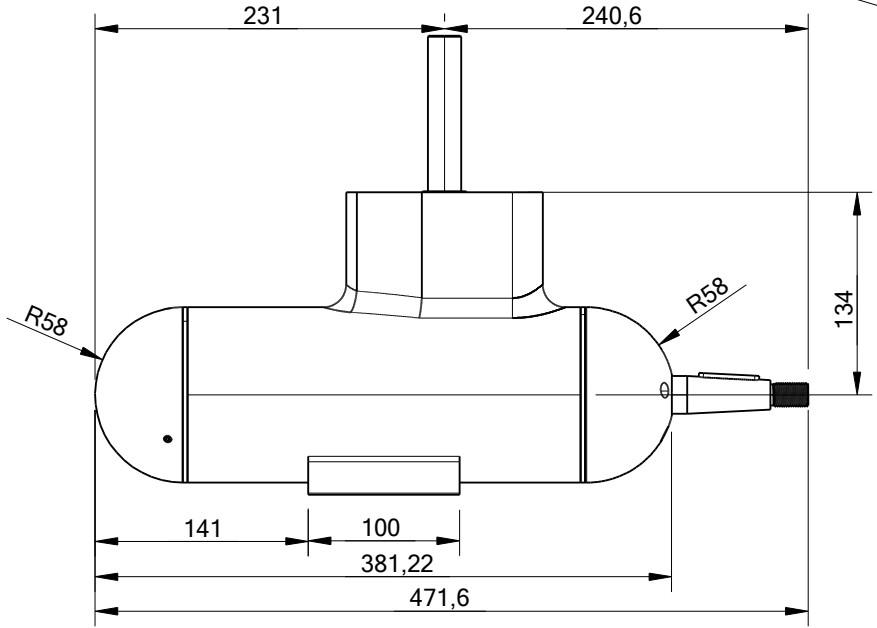
A

A



B

B



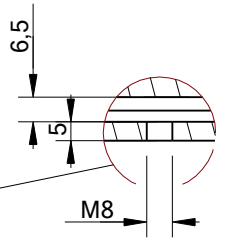
Section B-B
Scale 1:2

Scale 1:5

C

C

Scale 1:5



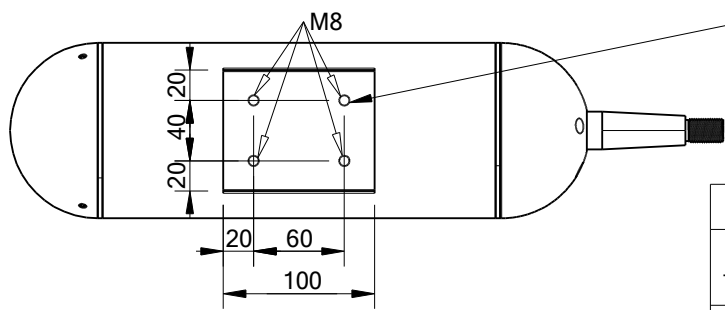
Section A-A
Scale 1:2


Note:
Bemerkung:

Measuring unit: mm
Maßeinheit: mm

D

D



Itemref	Quantity	Title/Name, designation, material, dimension etc			Article No./Reference	
Drawn by T. Kirbiš	Checked by	Approved by - date	File name	Date 7.12.2015	Scale	
UWM5 External dimensions Außenmaße					Edition	Sheet

1

2

3

6